

CATALOGO LISTINO CAYMAN 2025
CAYMAN CATALOG 2025

CYMN




Lenzokart[®]
HIGH PERFORMANCE TECHNOLOGIES

Indice
Index

TELAIO MINI CAYMAN / CAYMAN MINIKART CHASSIS	3
GRUPPO POSTERIORE / REAR AXLE GROUP	5
SUPPORTO MARMITTA / EXHAUST SUPPORT	6
ASSALI / AXELS	7
DISCO FRENO / BRAKE DISK	8
PORTA CORONA / SPROCKET HOLDER	9
MOZZO ALLUMINIO / ALLUMINIUM HUB	10
PINZA / BRAKE CALIPER	11
TUBO FRENO / BRAKE LINES	13
POMPA FRENI / BRAKE PUMP	14
ASTA COMANDO FRENO / BRAKE PUMP CONTROL	16
RODÀ PIANTONE / STEERING COLUMN	17
MOZZO VOLANTE / STEERING WHEEL SUPPORT	19
FUSELLI / STUB AXLE	20
PEDALE / PEDAL	22
SISTEMA PEDALI ARRETRATRO-RIALZATO	24
/ RECESSED/RAISED PEDAL SYSTEM	
POGGIATALLONI / FEET SUPPORT	26
PARAURTI ANTERIORE / FRONT BUMPERS	27
PIANALINA / ALUMINIUM FLOOR PLAN	28
SERBATOIO / FUEL TANK	29
PROTEZIONE POSTERIORE / TEAR BUMPER	30
CARENATURE / BODYWORKS	31
SEDILI / SEATS	33
CERCHI / WHEELS	35
SUPPORTO MOTORE / ENGINE SUPPORT	36
KIT SUPPORTO FILTRO / FILTER SUPPORT KIT	37
CAVI E TUBI CARBURANTE / FUEL CABLES AND PIPES	38

Telaio Mini Cayman Evo

Minikart Chassis Cayman Evo

ES	Cod	Descrizione <i>Description</i>
1	033-CH-29	TELAIO MINI CAYMAN EVO MINIKART CHASSIS CAYMAN EVO



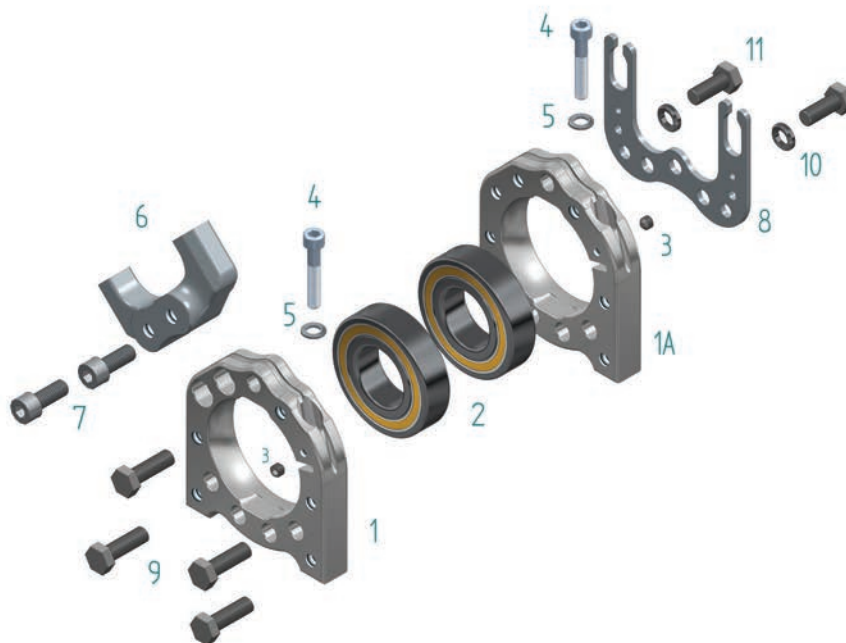
ES	Cod	Descrizione <i>Description</i>
2	LK001C CAYMAN	SCOCCA NUDA CAYMAN EVO CAYMAN FRAME



ES	Cod	Articolo Item
1	LK041R 7	STAFFA SUPP. CURVA MARMITTA CAYMAN EXHAUST SUPPORT PLATE MINI CAYMAN
2	LK061A 6X25	VSP 6X25 SCREW 6X25
3	LK061D FLAN	DADO M.6 AUTOBLOCCANTE FLANGIATO ZINC. M.6 SELF-LOCKING NUT
4	LK0290 2	TAPPO 28MM NERO CAP M.28
5	LK016H 10	UNIBALL PIANTONE STERZO M10X26X11MM STEERING COLUMN UNIBALL
6	LK016I 10	FERMO SEEGER UNIBALL PIANTONE M.26 SEEGER
7	LK036G 1	PERNO SUPP. REGISTRO ACC. MINI REGULATOR PIN
8	LK036G 2	PERNO SUPP. REGISTRO ACC. BABY REGULATOR PIN BABY
9	LK036G	REGOLATORE M.6 REGULATOR M.6
10	LK061D 6AUT	DADO M.6 AUTOBLOCCANTE ALTO ZINCATO
11	LK061E 6	RONDELLA M.6 ZINCATA BIANCA WASHER M.6

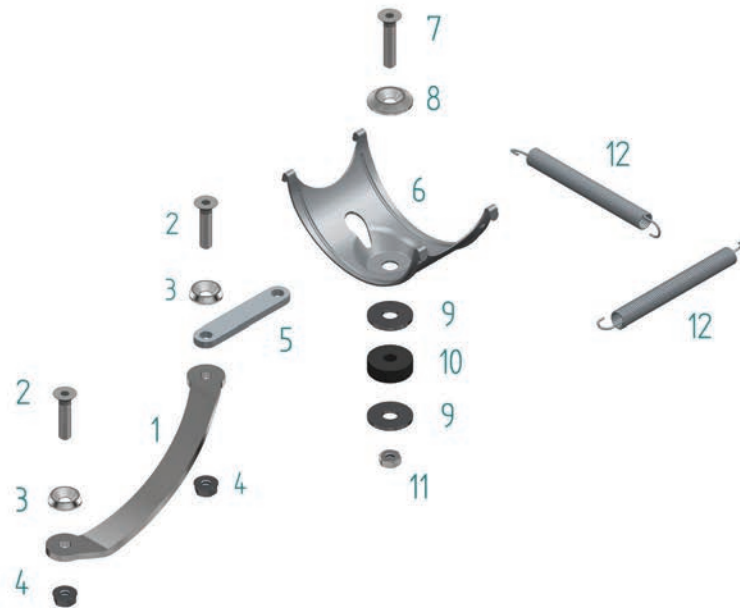
Gruppo posteriore

Rear axle group



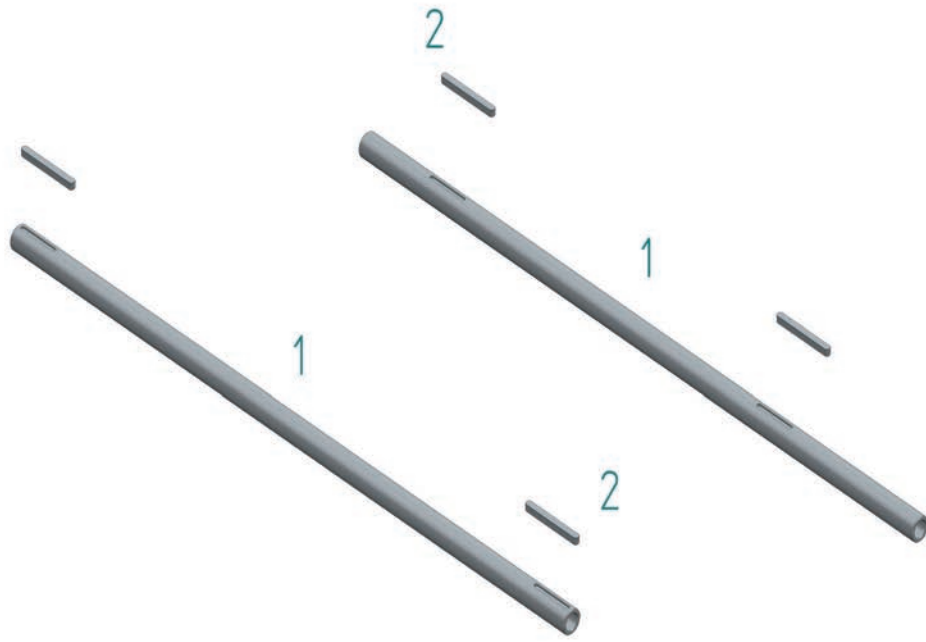
ES	Cod	Articolo Item
1 / 1A	LK022C 2020	FLANGIA SUPP.CUSCINETTO MINI 2020 AXLE BEARING FLANGE
2	LK021B 30	CUSCINETTO PER ASSALE Ø 30 GRANO Ø 8 Ø30 AXLE BEARING Ø 8 GRAIN
3	LK016L G	GRANO M5X5 GRUB SCREW M.5X5
4	LK061B 6X25	VTCE 6X25 SCREW VTCE 6X25
5	LK061E Z	RONDELLA ZIGRINATA M.6 M.6 KNURLED WASHER
6	LK031B 2025	SUPPORTO PINZA MINI 2025 MINI 2025 CALIPER SUPPORT
7	LK061B 8X25	VTCE 8X25 SCREW VTCE 8X25
8	LK038L	STAFFA SUPPORTO PARACATENA 2020 CHAIN GUARD SUPPORT PLATE 2020
9	LK061C 8X25	TE 8X25 ZINCATO BIANCO SCREW 8X25
10	LK061E 3	RONDELLA C 3MM WASHER 3MM
11	LK061C 8X20	TE 8X20 ZINCATO BIANCO SCREW 8X20

Supporto marmitta Exhaust support



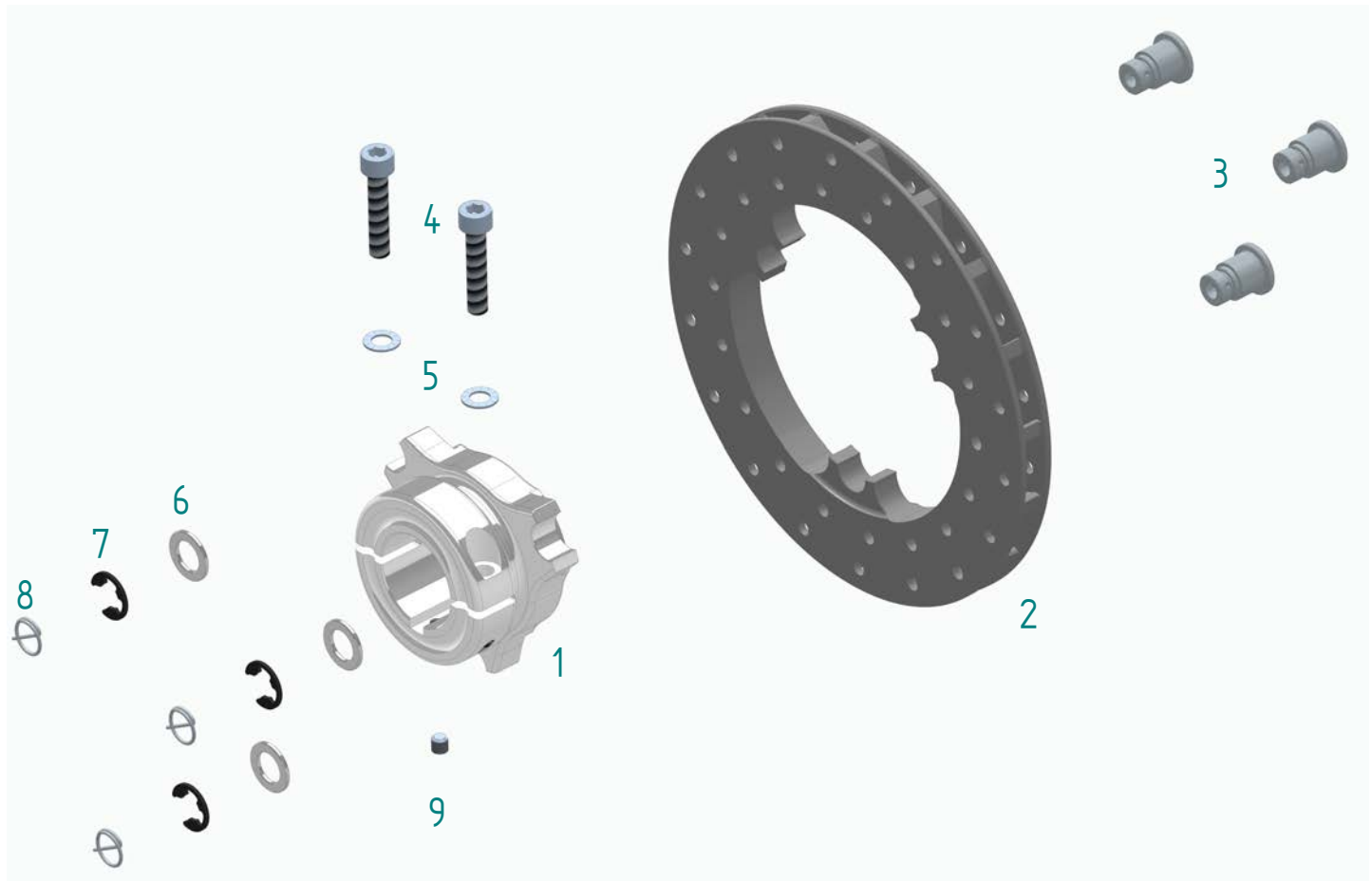
ES	Cod	Articolo Item
1	LK041R 10	STAFFA CURVA MARMITTA 5MM CURVED MUFFLER BRACKET 5MM
2	LK061A 8X30	VSP 8X30 ZINCATA BIANCA SCREW 8X30
3	LK020D T	RONDELLA ALL SVASATA 8X22 CUSCIN.NATURAL ALUMINIUM WASHER 8X22
4	LK061D 8AUT.F	DADO M.8 AUTOBLOCCANTE FLANGIATO ZINC M.8 SELF-LOCKING WITH WASHER
5	LK041R 6	STAFFA SUPPORTO MARMITTA MINI E KF MINI AND KF EXHAUST HOLDER SUPPORT
6	LK041F	CULLA SUPPORTO MARMITTA 125CC EXHAUST HOLDER
7	LK061A 8X40	VSP 8X40 SCREW 8X40
8	LK020A T	RONDELLA ALL SVASATA 8X30 SEDILE NATURAL ALLUMINIUM WASHER 8X30 NATURAL SEAT
9	LK061E 10X30	RONDELLE 10X30 WASHER 10X30
10	LK041Q	GOMMINO 30X8 SP 10 C ULLA MARMITTA EXHAUST HOLDER RUBBER 30X8 SP 10
11	LK061D AUT B	DADO M.8 AUTOBLOCCANTE BASSO ZINC M.8 LOW SELF-LOCKING NUT GALVANIZED
12	LK035M	MOLLA CULLA MARMITTA PRING FOR EXHAUST HOLDER

Assali Axels



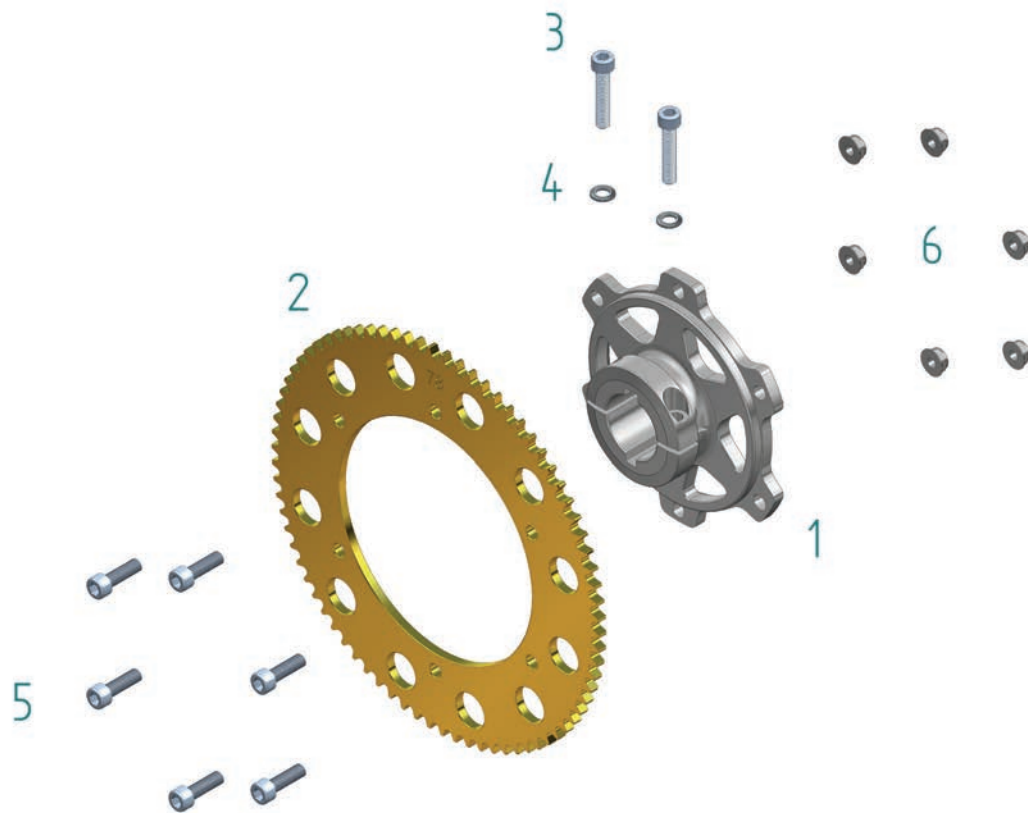
ES	Cod	Articolo Item
1	LK021P 30	ASSALE M.30X5 LKF4 L-960 30X5X960 AXLE LKF4
	LK021Q 30	ASSALE M.30X5 LKF6 L-960 30X5X960 AXLE LKF6
	LK021Y 30	ASSALE M.30X5 LKF3 L-960 30X5X960 AXLE LKF3
	LK030Q 30 B	ASSALE M.30X5 LK7 L-960 30X5X960 AXLE LK7
	LK021S 30	ASSALE M.30X5 SILVER L-960 30X5X960 AXLE SILVER
2	LK021D	CHIAVETTA 6X6X60 AXLE KEY 6X6X60

Disco freno Brake disk



ES	cod	Articolo Item
1	LK023I M	PORTA DISCO M.30 FLOTTANTE LKF15 <i>FLOATING DISC HOLDER M.30 LKF15</i>
2	LK034A LKF15	DISCO FRENO MINI LKF15 FLOTTANTE <i>MINI LKF15 FLOATING BRAKE DISC</i>
3	LK023I B	BUSSOLA DISCO FRENO MINI LKF15 <i>MINI LKF15 BRAKE DISC COMPASS</i>
4	LK061B 6X30	VTCE 6X30 <i>6X30 SCREW</i>
5	LK061E Z	RONDELLA ZIGRINATA M.6 <i>M.6 KNURLED WASHER</i>
6	LK023I R	RONDELLA D.10 DISCO FRENO MINI LKF15 <i>D.10 WASHER MINI LKF15 BRAKE DISC</i>
7	LK023I S	SEEGER 8MM DISCO FRENO MINI LKF15 <i>SEEGER 8MM MINI LKF15 BRAKE DISC</i>
8	LK023I F	FERMO ELASTICO D.10 DISCO FRENO MINI LKF15 <i>ELASTIC STOP D.10 MINI LKF15 BRAKE DISC</i>
9	LK016L G	GRANO M5X5 <i>GRUB SCREW M.5X5</i>

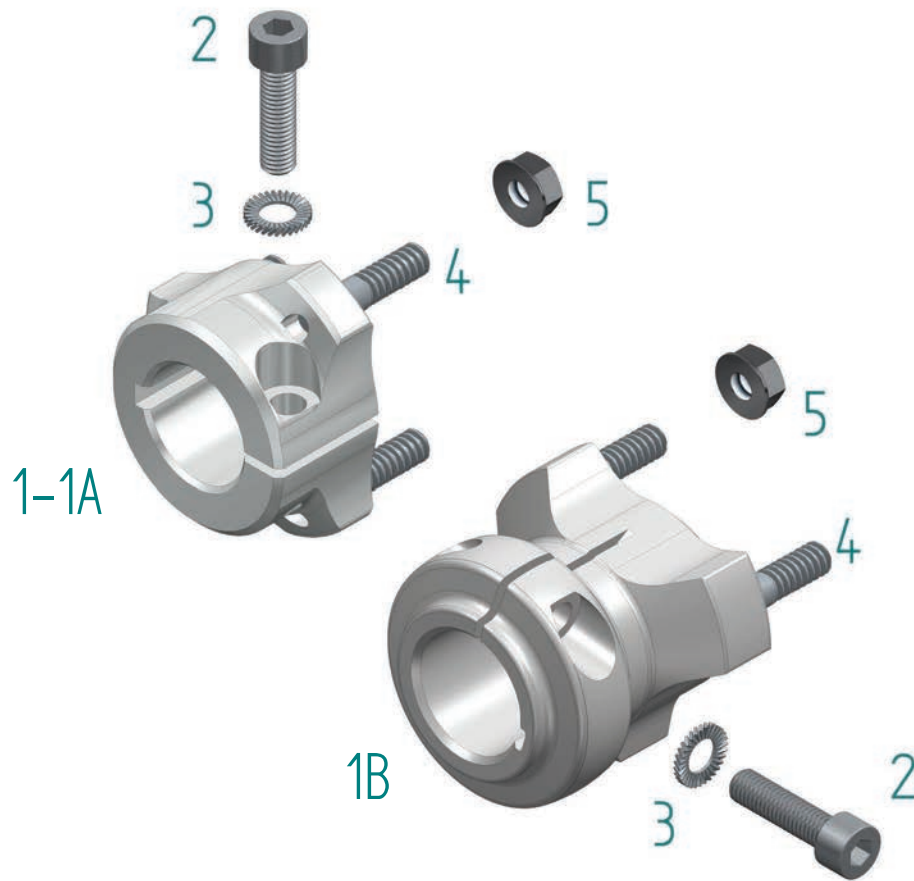
Porta corona Sprocket holder



ES	Cod	Articolo Item
1	LK023H N	PORTA CORONA M.30 RIC. PIENO ANOD. NAT M.30 SPROCKET HOLDER
2	LK024A ..	CORONA ALLUMINIO DA Z.66 A Z.94 ALLUMINIUM SPROCKET
3	LK061B 6X30	VTCE 6X30 6X30 SCREW
4	LK061E Z	RONDELLA ZIGRINATAM.6 M.6 KNURLED WASHER
5	LK061B 6X20	VTCE 6X20 ZINCATA BIANCA 6X20 SCREW
6	LK061D FLAN	DADO M.6 AUTOBLOCCANTE FLANGIATO ZINC. M.6 SELF LOCKING NUT

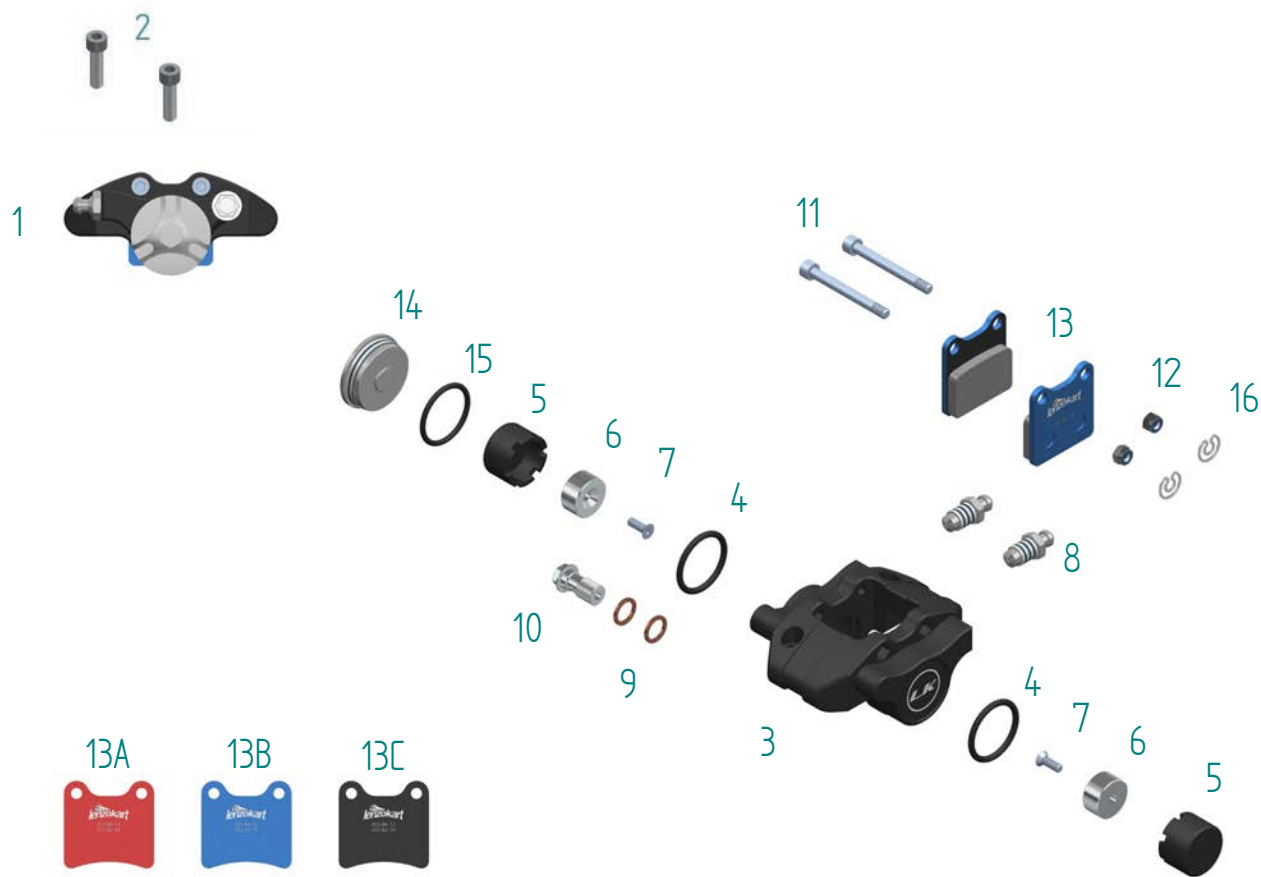
Mozzo alluminio

Alluminium hub



ES	Cod	Articolo Item
1	LK025V	MOZZO 30X35 ALLUMINIO M.30X35 ALLUMINIUM HUB
1A	LK025V 30X30	MOZZO 30X30 ALLUMINIO M.30X30 ALLUMINIUM HUB
1B	LK025T	MOZZO 30X65 ALLUMINIO M.30X65 ALLUMINIUM HUB
2	LK061B 8X30	VTCE 8X30 SCREW 8X30
3	LK061E 8Z	RONDELLA M.8 ZIGRINATA WASHER M.8
4	LK018F 1	PRIGIONIERO MOZZI STUD BOCT
5	LK061D 8AUT.F	DADO M.8 AB FLANG M.8 SELF LOCKING NUT

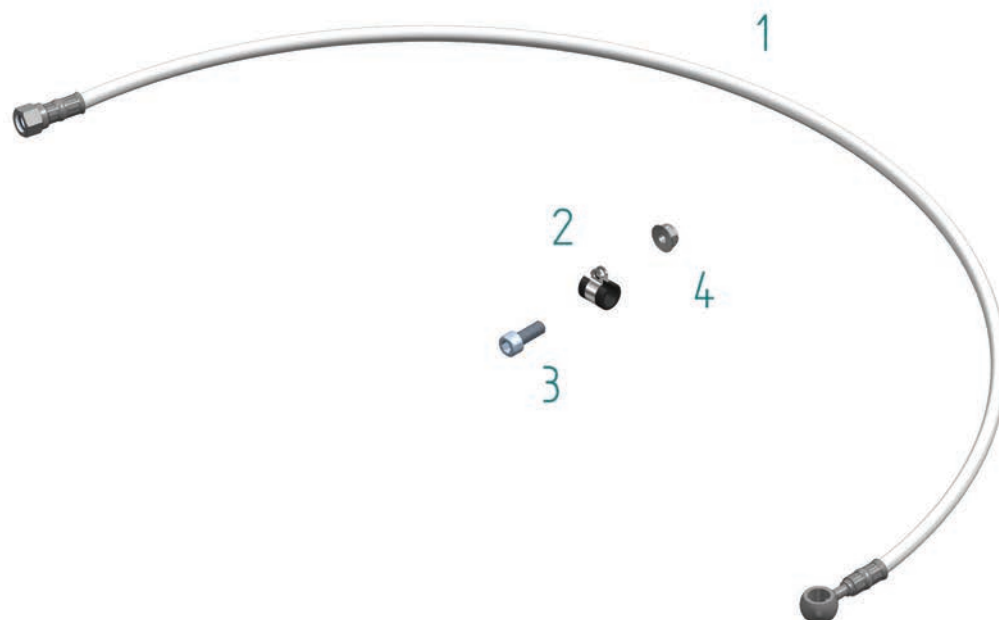
Pinza
Brake caliper



ES	Cod	Articolo Item
1	LK032X S LKF13	PINZA FRENO IDRAULICA MINI LKF13 MINIKART CALIPER MINI LKF13
2	LK061B 6X30	VTCE 6X30 SCREW 6X30
3	LK032A S LKF13	CORPO PINZA FRENO LKF13 MINIKART CALIPER BODY
4	LK039E 13 EPDM	O-R PIST. PINZA ANT KZ F8 EPDM 26X3 O-RING 26X3
5	LK032G LKF8	PISTONCINO PINZA FRENO ANT. LKF8 PISTON FOR MINIKART FRONT CALIPER LKF8
6	LK031S 5	MAGNETE 20X10H CON FORO PER VITE M.5 MAGNET 20X10 WITH HOLE FOR M.5 SCREW
7	LK061A 4X12	VSP 4X12 ZINCATA BIANCA SCREW 4X12
8	LK032Z	SFIATO M 10X1 RELEASE VALVE M 10X1

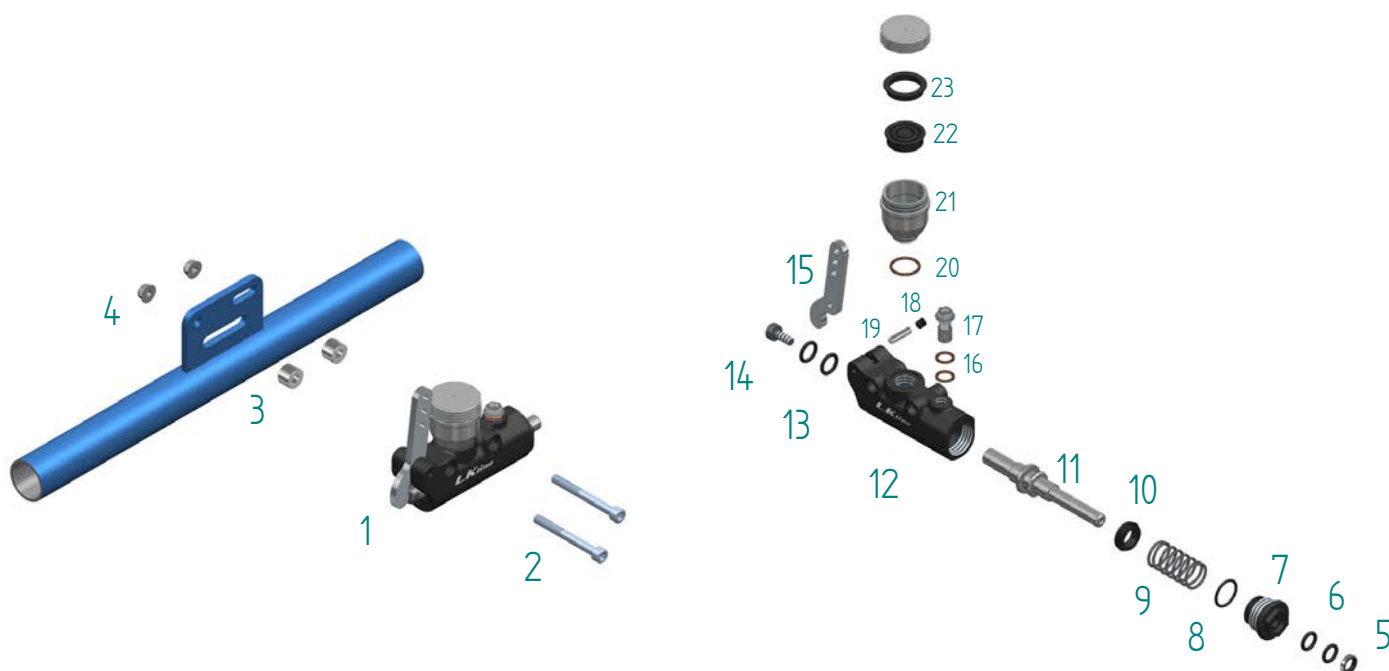
ES	Cod	Articolo Item
9	LK032 Z	RONDELLA 10X14X1,5 WASHER 10X14X1,5
10	LK032X	VITE FORATA M10X1 PER RACC. AD OCCHIEL. SCREW WITH HOLE M 10X1
11	LK061B 5X65	VTCE 5X65 ZINCATA BIANCA SCREW 5X65
12	LK061D MET5	DADO M.5 METAL BLOCK M.5 METAL BLOCK NUT
13A	LK032J LKF13 SOFT	PASTIGLIA FRENO SOFT SOFT BRAKE PAD
13B	LK032J LKF13	PASTIGLIA FRENO MEDIUM MEDIUM BRAKE PAD
13C	LK032J LKF13 HARD	PASTIGLIA FRENO HARD HARD BRAKE PAD
14	LK032A TAPPO	TAPPO PINZA FRENO ANT. IDR. ALL. LKF8 BRAKE CALIPER CAP ALUMINIUM LKF8
15	LK039E 4	O-R PIST. PINZA MINI 26,65X2,62 BRAKE CALIPER MINI 26,65X2,62
16	LK030P	FERMO PERNO REGGIPASTIGLIA PAD HOLDER PIN STOP

Tube freno Brake lines



ES	Cod	Articolo Item
1	LK030D LKF15	SERIE TUBO FRENO MINI LKF15 MINIKART BRAKE LINES
2	LK044T	FASCETTA PASSACAVI GOMMATA M.8 CLAMP M.8
3	LK061B 6X16	VTCE 6X16 SCREW 6X16
4	LK061D FLAN	DADO M.6 AUTOBLOCCANTE FLANGIATO ZINC. M.6 SELF-LOCKING NUT WITH WASHER

Pompa freni Brake pump

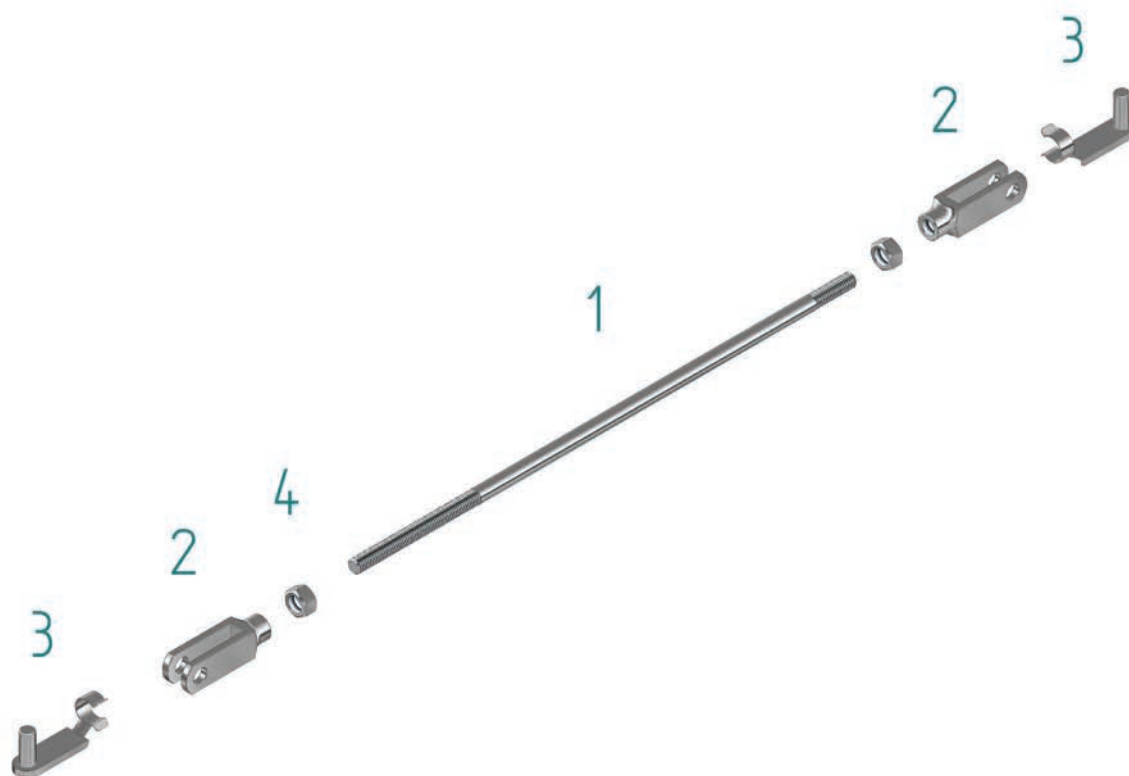


Es	Cod	Articolo Item
1	LK030J KK-R	POMPA FRENO MINI KK-R MINI KK-R BRAKE PUMP
2	LK061B 6X50	VTCE 6X50 ZINCATA BIANCA SCREW 6X50
3	LK007N 10	DISTANZIALE 10MM 10MM SPACER
4	LK061D FLAN	DADO M.6 AUTOBLOCCANTE FLANGIATO ZINC M.6 SELF-LOCKING NUT WITH WASHER
5	LK040 P	PARAOLIO 10X14X3 10X14X3 SEAL
6	LK039E 21	O-RING NBR 70 9,92 X 2,62 NBR 70 9,92 X 2,62 O-RING
7	LK032B T KK-R	TAPPO POMPA FRENO KK-R KK-R BRAKE PUMP CAP
8	LK039E 20	O-RING NBR 70 18,77 X 1,78 NBR 70 18,77 X 1,78 O-RING
9	LK030H LKF8	MOLLA POMPA FRENO BRAKE PUMP SPRING
10	LK030V LKF8	GOMMINO PISTONCINO POMPA FRENO LKF8 LKF8 BRAKE PUMP PISTO RUBBER
11	LK030F KK-R	PISTONCINO POMPA FRENO KK-R KK-R BRAKE PUMP PISTON
12	LK030J 16	CORPO POMPA FRENO KK-R KK-R BRAKE PUMP BODY

Es	Cod	Articolo Item
13	LK039E 17	O-RING NBR 70 11,91 X 2,62 <i>NNBR 70 11,91 X 2,62 O-RING</i>
14	LK030F T KK-R	TESTA PISTONCINO POMPA FRENO KK-R <i>KK-R BRAKE PUMP PISTON HEAD</i>
15	LK029U 3	LEVA POMPA FRENO KK-R <i>KK-R BRAKE PUMP LEVER</i>
16	LK032 Z	RONDELLA 10X14X1,5 <i>WASHER 10X14X1,5</i>
17	LK032X	VITE FORATA M10X1 PER RACC. AD OCCHIEL. <i>SCREW WITH HOLE M 10X1</i>
18	LK061H 6X6	GRANO M.6X6 <i>M.6X6 GRUB SCREW</i>
19	LK061N	SPINA CILINDRICA 5X20 <i>5X20 PIN</i>
20	LK061E R 18X22	RONDELLA RAME 18X22X1,5 <i>COPPER WASHER 18X22X1.5</i>
21	LK030J S LKF8	SERBATOIO DI RECUPERO POMPA FRENO LKF8 <i>RECOVERY FUEL TANK FOR BRAKE PUMP LKF8</i>
22	LK029L LKF8	MEMBRANA VASCHETTA RECUPERO POMPA LKF8 <i>MEMBRANE RECOVERY TANK PUMP LKF8</i>
23	LK029L G LKF8	GUARNIZIONE TAPPO <i>CAP GASKET</i>

Asta comando freno

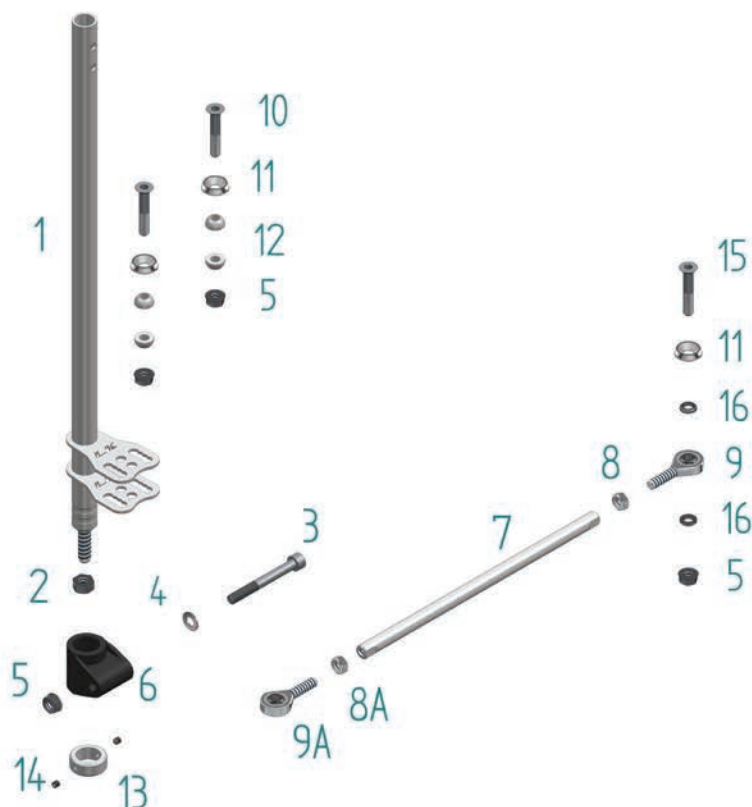
Brake pump control rod



ES	Cod	Articolo Item
1	E-LK029E 23	ASTA COMANDO FRENO L-23 BRAKE PUMP CONTROL ROD
	E-LK029E 26	ASTA COMANDO FRENO L-26 BRAKE PUMP CONTROL ROD
	LK029E...	ASTA COMANDO FRENO L-32-36-40-42-45-47 BRAKE PUMP CONTROL ROD
2	LK029S	FORCELLA POMPA FRENO LUNGA ZINCATA FORK
3	LK029V	CLIP PER FORCELLA CLIP
4	LK061D 6	DADO M.6 ZINCATO M.6 NUT
5	LK029W	CAVO DI SICUREZZA SAFETY CABLE

Piantone

Steering column



Es	Cod	Articolo Item
1	LK016G MINI	PIANTONE STERZO Ø10 MINI STEERING COLUMN M.10
2	LK061D 10B	DADO AUTOBLOCCANTE M.10 BASSO M.10 SELF-LOCKING LOW NUT
3	LK061B 8X70	VTCE 8X70 SCREW 8X70
4	LK061E 8	RONDELLA PIANA M.8 FLAT WASHER
5	LK061D 8AUT.F	DADO M.8 AUTOBLOCCANTE FLANGIATO ZINC M.8 SELF-LOCKING NUT WITH WASHER
6	LK016F	SUPPORTO PIANTONE STERZO 20X8 NERO PLASTIC STEERING COLUMN SUPPORT
7	LK016X 23	BRACCETTO STERZO TONDO L=23 TIEROD 23CM
7A	LK016X 20	BRACCETTO STERZO TONDO L=20 TIEROD 20CM
8	LK061D 8	DADO M.8 ZINCATO M.8 NUT
8A	LK061D 8S	DADO M.8 SINISTRO ZINCATO LEFT M.8 NUT

9	LK016C	UNIBALL DX BRACCETTO STERZO ATT.MASCHIO <i>RIGHT UNIBALL JOINT</i>
9A	LK016B	UNIBALL SX BRACCETTO STERZO ATT MASCHIO <i>LEFT UNIBALL JOINT</i>
10	LK061A 8X50	VSP 8X50 ZINCATA BIANCA <i>SCREW 8X50</i>
11	LK020D T	RONDELLA ALL SVASATA 8X22 CUSCIN.NATURAL <i>ALUMINIUM WASHER 8X22</i>
12	LK016T	BOCCOLA OTTONE PIANTONE STERZO <i>BRASS SPACER</i>
13	LK016L T	ANELLO SICUREZZA PIANTONE STERZO NATURAL <i>STEERING COLUMN RING</i>
14	LK016L G	GRANO M5X5 <i>GRUB SCREW M5X5</i>
15	LK061A 8X45	VSP 8X45 <i>8X45 SCREW</i>
16	LK061E 3	RONDELLA C 3MM <i>WASHER C 3MM</i>

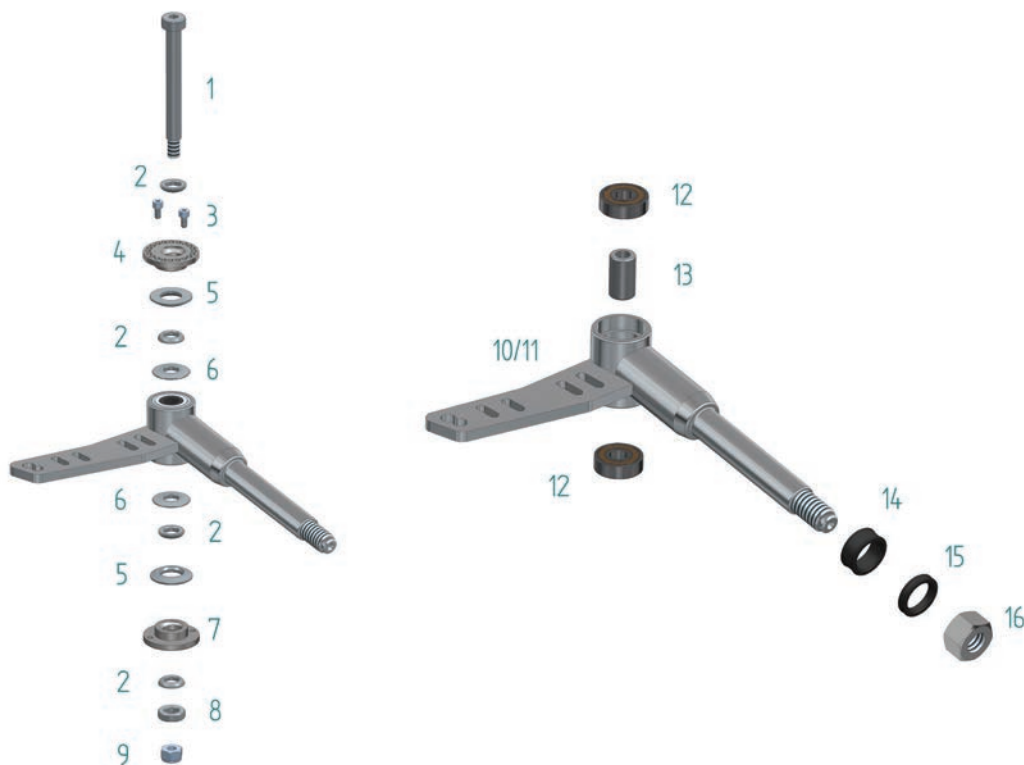
Mozzo volante

Steering wheel support



ES	Cod	Articolo Item
1	LK016P 1	MOZZO VOLANTE INCLINATO KK/MINI KK/MINI INCLINED STEERING WHEEL HUB
2	LK061B 6X35	VTCE 6X35 SCREW 6X35
3	LK061D FLAN	DADO M.6 AUTOBLOCCANTE FLANGIATO ZINC. M.6 SELF-LOCKING NUT WITH WASHER
4	LK014F 3	VOLANTE M7 WHEEL
5	LK061A 6X25	VSP 6X25 SCREW 6X25
6	LK020E T	RONDELLA ALL SVASATA 6X19 PIANAL.NATURAL ALUMINIUM WASHER 6X19

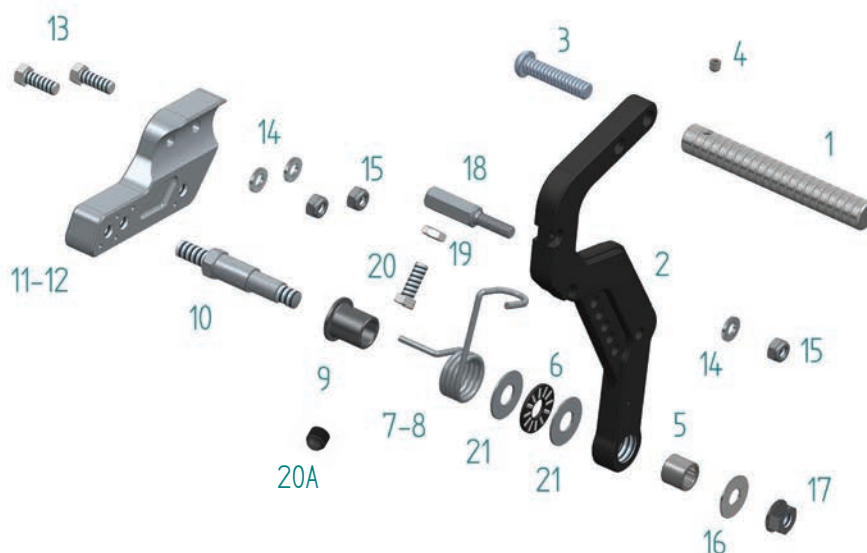
Fuselli Stub axle



Es	Cod	Articolo Item
1	LK019I 10X80	PERNO RETTIFICATO 10X80 STUB AXLE BOLT 10X80
2	LK019L 10 2015	SNODO M.10 PER ECCENTRICO M.10 FOR ECCENTRIC
3	LK061B 4X10	VTCE 4X10 SCREW 4X10
4	LK019E 1.5 2015	BOCCOLA ECCENTRICA M.22 1,5 ECCENTRIC BUSH M.22 1,5
	LK019E 0.5 2015	BOCCOLA ECCENTRICA M.22 0,5 ECCENTRIC BUSH M.22 0,5
	LK019E 1 2015	BOCCOLA ECCENTRICA M.22 1 ECCENTRIC BUSH M.22 1
	LK019E 2.5 2015	BOCCOLA ECCENTRICA M.22 2,5 ECCENTRIC BUSH M.22 2,5
	LK019E 3.9 2015	BOCCOLA ECCENTRICA D. 22 3,9 ECCENTRIC BUSH D.22 3,9
5	LK019L 2015	RONDELLA SUPPORTO SNODO PER ECCENTRICO SUPPORT WASHER FOR ECCENTRIC
6	LK019E S5 2.7	RONDELLA SPESSORE H 2.7 WASHER H 2.7
7	LK019E 2015	BOCCOLA FISSA M.22 FIXED BUSH M.22

Es	Cod	Articolo Item
8	LK019G 7	RONDELLA DI SPESSOR AMENTO 6,2 <i>WASHER SP. 6,2</i>
9	LK061D 8AUT.F	DADO M.8 AUTOBLOCCANTE FLANGIATO <i>M.8 SELF-LOCKING NUT WITH WASHER</i>
10	LK019A DX	FUSELLO DX MINI GR.10,0 <i>MINI RIGHT STUB AXLE 10</i>
11	LK019A SX	FUSELLO SX MINI GR.10,0 <i>MINI LEFT STUB AXLE 10</i>
12	LK019D 3	CUSCINETTO FUSELLO M.10 <i>STUB AXLE BEARING M.10</i>
13	LK019H 10	DISTANZIALE CUSCINETTO FUSELLO <i>SPACER FOR STUBAXLE BEARINGS</i>
14	LK020G T	DISTANZIALE CUSCINETTO FUSELLO 10MM <i>SPACER FOR STUBAXLE BEARINGS 10MM</i>
15	LK020J T	DISTANZIALE CUSCINETTO FUSELLO 5MM <i>SPACER FOR STUBAXLE BEARINGS 5MM</i>
16	LK061D M14B	DADO M.14 PASSO 1,5 BASSO <i>M.14 SELF-LOCKING NUT 1,5</i>

Pedale Pedal

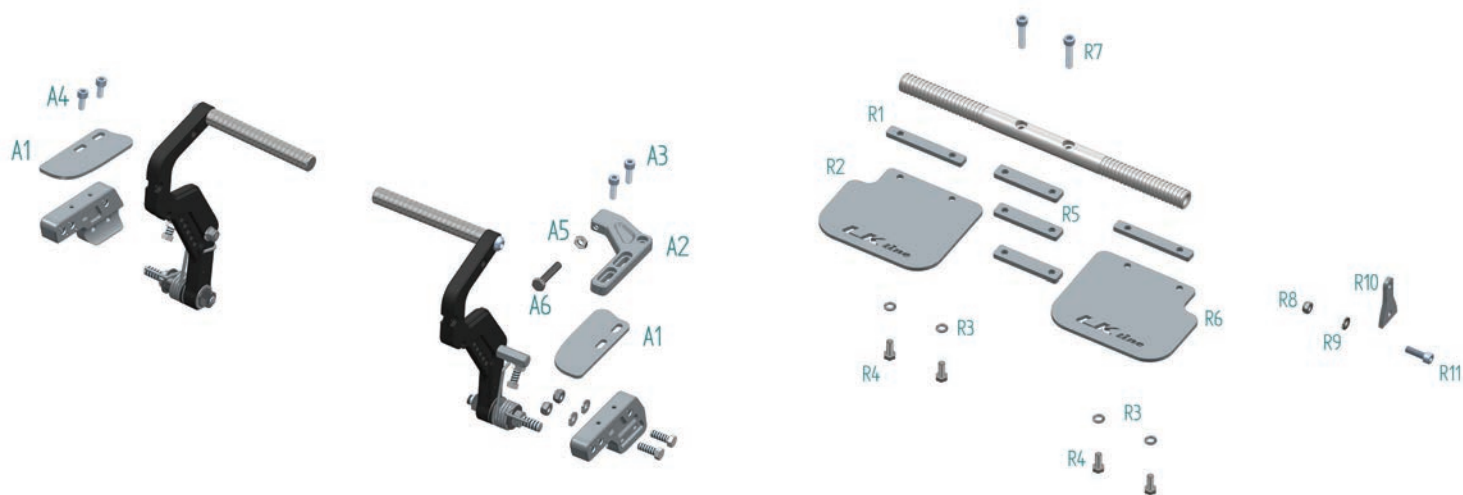


Es	Cod	Articolo Item
	LK017L A/F M	PEDALE ACCELERATORE - FRENO MINIKART MINIKART ACCELERATOR PEDAL
1	LK017K 2	POGGIA PIEDI CORPO PEDALE FOOTREST
2	LK017K M	CORPO PEDALE A/F M A/F M PEDAL
3	LK061P 8X35	VITE BOMBATA 8X35 ROUNDED SCREW 8X35
4	LK061H 5X4	GRANO M5X4 GRAIN M5X4
5	B.06.075.B	GABBIA A RULLI SKF HK1012 ROLLER CAGE
6	B.06.017.A	CUSCINETTO ASSIALE A RULLI PIATTO IKO NTB1024 AXIAL FLAT ROLLER BEARING
7	LK035N 1	MOLLA PEDALE DX ACCELERATOR RIGHT PEDAL SPRING
8	LK035N 2	MOLLA PEDALE SX BRAKE LEFT PEDAL SPRING
9	LK017V B KK-R	BOCCOLA PERNO PEDALE KK-R ACC KK-R ACC PEDAL BUSH
10	LK017V KK-R	PERNO PEDALE KK-R PEDAL SCREW KK-R

11	LK063H XA	PORTAPEDALE XA <i>SUPPORT FOR PEDAL XA</i>
12	LK063H XF	PORTAPEDALE XF <i>SUPPORT FOR PEDAL XF</i>
13	LK061C 6X40	TE 6X40
14	LK019G 3.2	RONDELLA PORTAPEDALI PARAUT. KK-R <i>SUPPORT WASHER FOR PEDAL KK-R</i>
15	LK061D 6AUT B	DADO M.6 AUTOBLOCCANTE BASSO <i>M.6 LOW SELF-LOCKING NUT</i>
16	B.06.019.B	RALLA CUSCINETTO ASSIALE INA A.S. 0821 <i>WASHER AXIAL BEARING</i>
17	LK061D AUT B	DADO M.8 AUTOBLOCCANTE BASSO <i>M.8 LOW SELF-LOCKING NUT</i>
18	LK036G 4	PERNO SUPP. REGISTRO A/F L=47 <i>SUPPORT PIN A/F L=47</i>
19	LK061D 6	DADO M.6 <i>NUT M.6</i>
20	LK061C 6X30	TE 6X30 <i>SCREW 6X30</i>
20A	LK0290 7	TAPPO COPRIVITE M.6 <i>M.6 SCREW COVER CAP</i>
21	B.06.019.A	RALLA CUSCINETTO ASSIALE IKO 1024 <i>WASHER AXIAL BEARING</i>

Sistema pedali arretrato-rialzato

Recessed/raised pedal system



ARRETRATO

Recessed

Es	Cod	Articolo Item
A1	LK017V B	BATTUTA PEDALI K1 PEDALS ABUTMENT K1
A2	LK063H X1	FINECORSA X1 LIMIT X1
A3	B.06.031.A	VTCE 5X14 SCREW 5X14
A4	LK061B 5X12	VTCE 5X12 SCREW 5X12
A5	LK061D 6	DADO M.6 NUT M.6
A6	LK061B 6X40	TE 6X40
	LK007Q KIT	KIT SISTEMA PEDALI KK ARRETRATO. COMPRENDE LE VOCI: A1, A2, A3, A4, A5, A6, R1, R2, R3, R4, R5, R6, R7, R8, R9, R10, R11 REAR KK PEDAL SYSTEM KIT. INCLUDES ITEMS: A1, A2, A3, A4, A5, A6, R1, R2, R3, R4, R5, R6, R7, R8, R9, R10, R11

RIALZATO
Raised pedal system

Es	Cod	Articolo Item
R1	LK0070 L-80	STAFFA RIALZO TALLONI L-80 <i>HEEL LIFT BRACKET</i>
R2	LK007N L SX	POGGIATALLONI LKLINE SX <i>HEEL REST LKLINE SX</i>
R3	LK061E Z	RONDELLA M.6 ZIGRINATA <i>KNURLED WASHER M.6</i>
R4	LK061C 6X16	TE 6X16
R5	LK0070 L-67	STAFFA RIALZO TALLONI L-67 <i>HEEL LIFT BRACKET L-67</i>
R6	LK007N L DX	POGGIATALLONI LKLINE DX <i>HEEL REST LKLINE DX</i>
R7	LK061B 6X30	VTCE 6X30 <i>SCREW 6X30</i>
R8	LK061D 6AUT B	DADO M.6 AUT BASSO <i>M.6 LOW SELF-LOCKING NUT</i>
R9	LK061E 6	RONDELLA M.6 <i>WASHER M.6</i>
R10	LK031U	PIASTRA REG M.6 <i>REG PLATE M.6</i>
R11	LK061B 6X20	VTCE 6X20 <i>SCREW 6X20</i>

Poggiatalloni

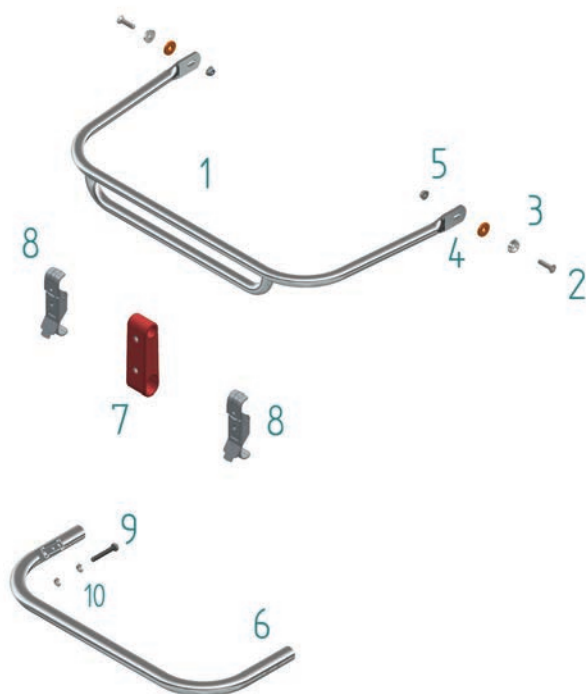
Feet support



ES	Cod	Articolo Item
1	LK007N 2021	POGGIATALLONI ALLUMINIO 2021 ALUMINIUM FEET SUPPORT 2021
2	LK007N K1	STAFFA FISSAGGIO K1 BRACKET FIXING K1
3	LK061B 6X16	VTCE 6X16 SCREW 6X16
4	LK061A 6X30	VSP 6X30 6X30 SCREW
5	LK007N 5	DISTANZIALE 5MM 5MM SPACER

Paraurti anteriore

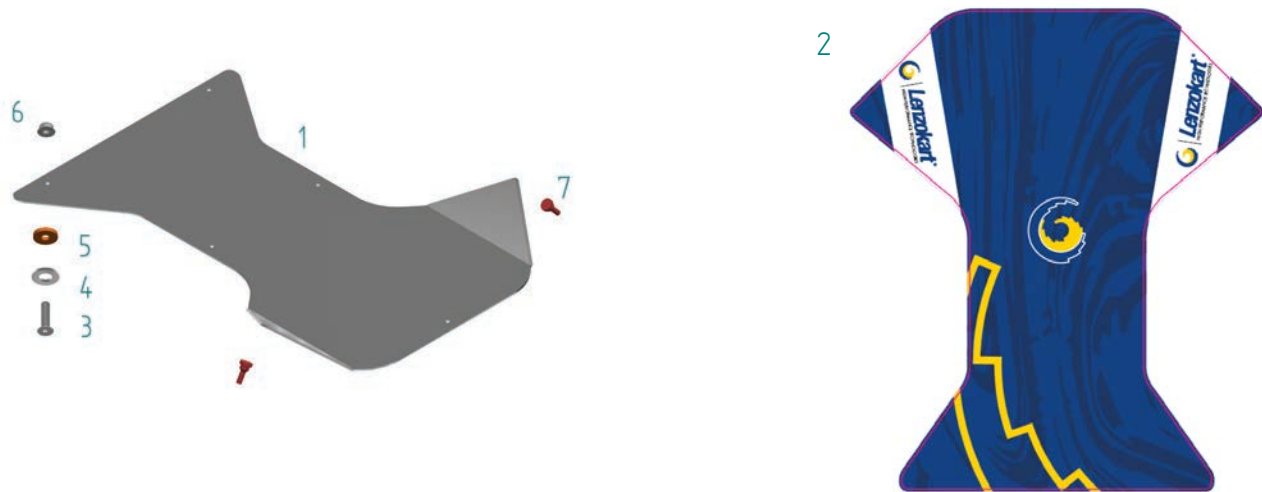
Front bumpers



Es	Cod	Articolo Item
1	LK018D MK20	PARAURTI ANTERIORE SUP. MINI MK20 UPPER FRONT BUMPER
2	LK061A 6X25	VSP 6X25 SCREW 6X25
3	LK020E T	RONDELLA ALL SVASATA 6X19 PIANAL.NATURAL ALUMINIUM WASHER 6X19
4	LK007L	GOMMINO PIANALINA RUBBER WASHER
5	LK061D FLAN	DADO M.6 AUTOBLOCCANTE FLANGIATO ZINC. M.6 SELF-LOCKING NUT WITH WASHER
6	LK0170 1 MK20	PARAURTI ANTERIORE INF. MINI MK20 LOWER FRONT BUMPER
7	LK009G CIK	ADATTATORE ATTACCO SPOILER AT.050.RS PLASTIC FRONT BUMPER SUPPORT
8	LK009F	ATTACCO PER SPOILER DUE GANCI FRONT SPOILER SPRING HOOK CONNECTION
9	LK061C 6X40	TE 6X40 6X40 SCREW
10	LK061D 6	DADO M.6 NUT M.6

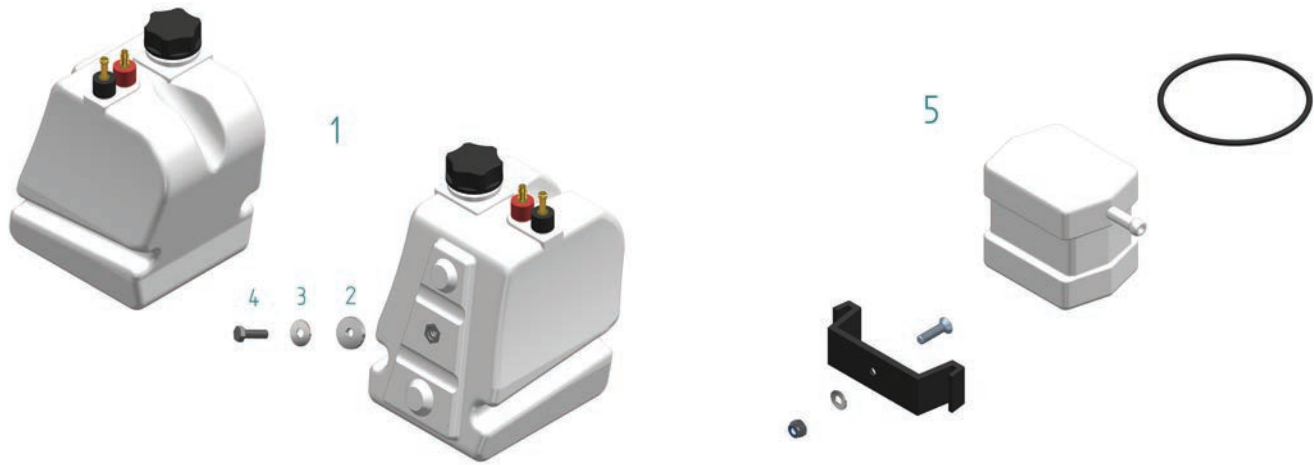
Pianalina

Aluminium floor plan



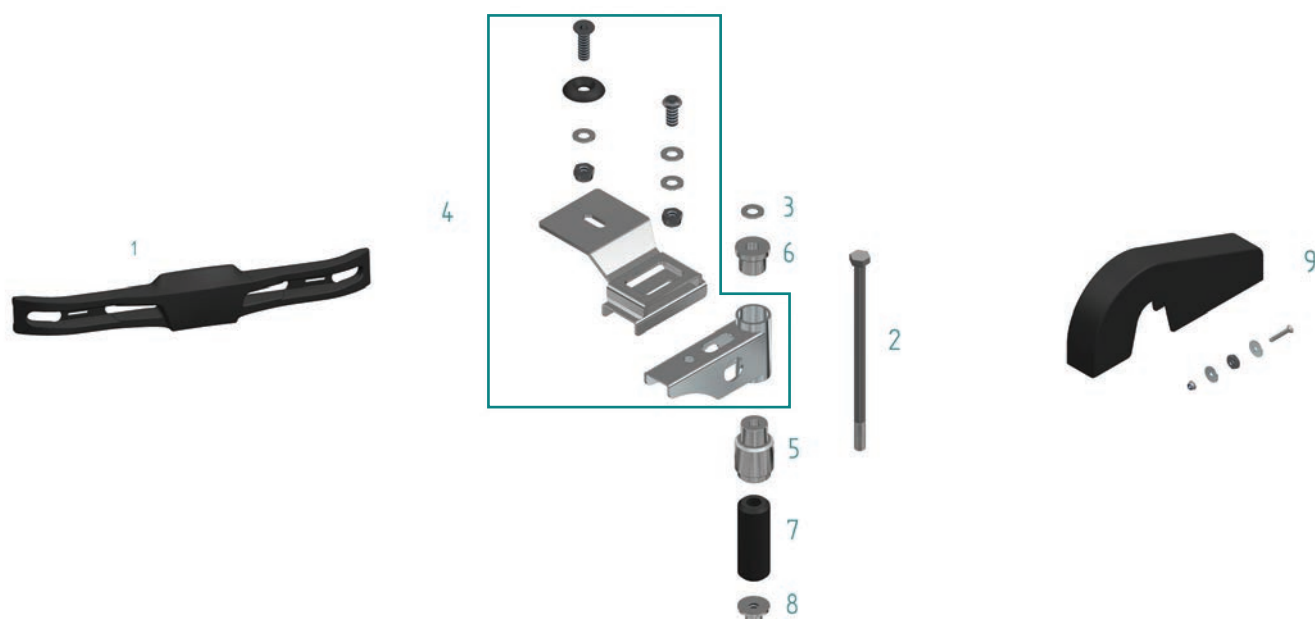
Es	Cod	Articolo Item
1	LK007E LK5	PIANALINA ALLUMINIO CAYMAN LK5 CAYMAN LK5 ALUMINUM FLOOR PLATE
2	LK047U MC	ADESIVO PIANALINA MINI CAYMAN STICKER FOR MINIKART FLOOR PLATE
3	LK061A 6X22	VSP 6X22 ZINCATO BIANCO SCREW 6X22
4	LK061E 10	RONDELLE M.10 WASHER M.10
5	LK007L	GOMMINO PIANALINA RUBBER WASHER
6	LK061D FLAN	DADO M.6 AUTOBLOCCANTE FLANGIATO ZINC. M.6 SELF-LOCKING NUT WITH WASHER
7	LK007L P	GOMMINO PIANALINA A PIOLO RUBBER

Serbatoio Fuel tank



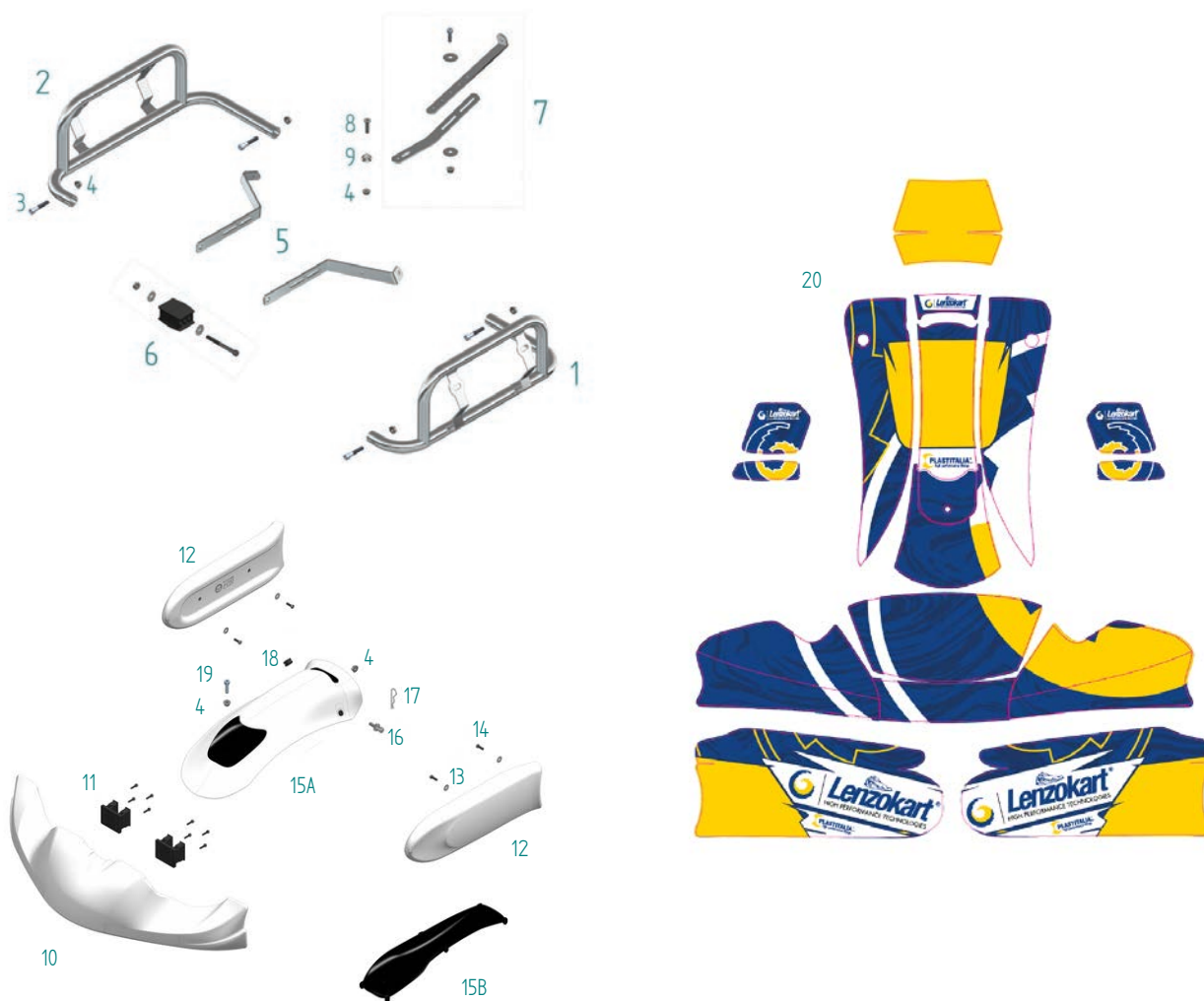
ES	Cod	Articolo Item
1	LK012A 1	SERBATOIO CARB. L.3 MINI-BABY KART FUEL TANK L.3
2	LK015N T	SPESSORE SEDILE ALLUMINIO H. 5MM H. 5MM ALUMINUM SEAT THICKNESS
3	LK061E 8X24	RONDELLA M.8X24 M.8X24 WASHER
4	LK061C 8X20	TE 8X20 ZINCATO BIANCO 8X20 TE WHITE GALVANIZED
5	LK012F	KIT SERBATOIO DI RECUPERO RECOVERY TANK KIT

Protezione posteriore Tear bumper



Es	Cod	Articolo Item
1	LK009Q HULK	PROTEZ. POST. KG MINI HULK NERO MINIKART REAR BUMPER "HULK"
2	LK061C 8X160	TE 8X160 ZINCATA BIANCA GAMBO INT.FILETT SCREW 8X160
3	LK061E 8	RONDELLA M.8 ZINCATA BIANCA WASHER M.8
4	LK009R MK20	KIT ATTACCO PROTEZ. POST KG MINI MK20 REAR BUMPER ATTACHMENT NUT
5	LK020U L44	BOCCOLA INT. PARAURTI POST.M/B L-44 REAR BUMPER INTERNAL BUSH
6	LK020V N	BOCCOLA EST. PARAURTI POST.M/B NATURALE REAR BUMPER EXTERNAL BUSH
7	LK017D 2	GOMMOTTO PARAURTI POST. M.23 REAR BUMPER RUBBER CONNECTOR
8	LK019G SGM	RONDELLA SPINGIGOMMO TTO MINIKART BUSH FOR REAR BUMPER RUBBER
9	LK038P	PARACATENA INTEGRALE CON KIT VITI DI FISSAGGIO INTEGRAL CHAIN GUARD WITH FIXING SCREW KIT

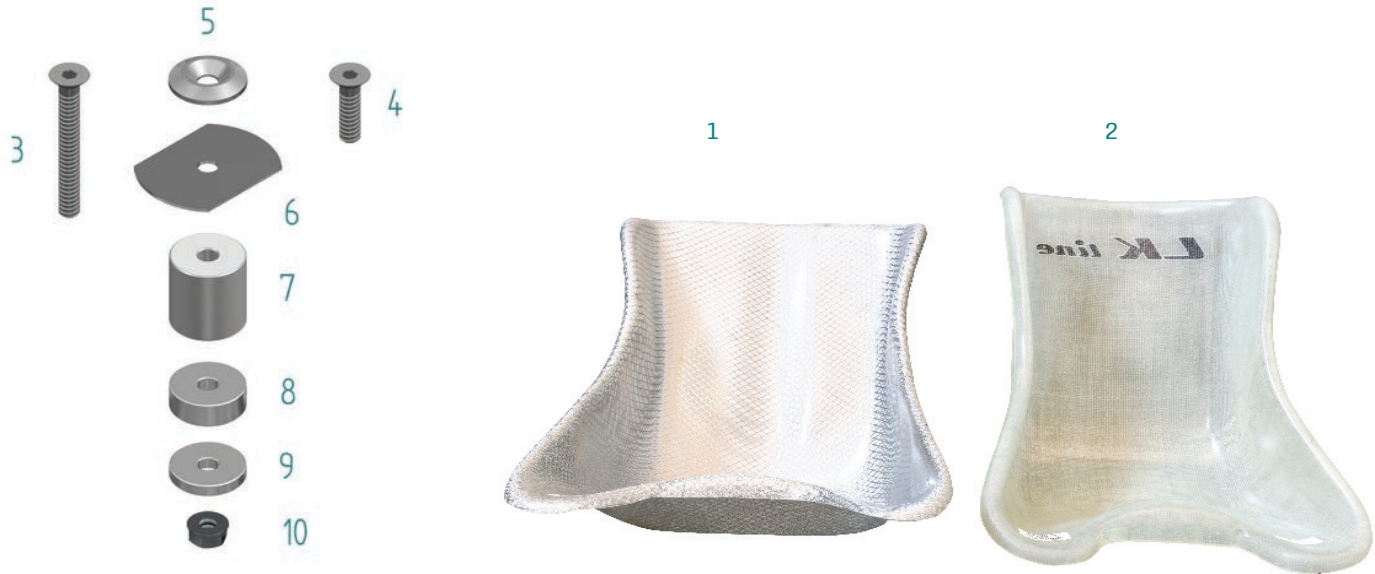
Carenature Bodyworks



Es	Cod	Articolo Item
1	LK018B MK20	SUPPORTO CARENA LAT. MINIKART DX MK20 RIGHT SIDE POD SUPPORT
2	LK018C MK20	SUPPORTO CARENA LAT. MINIKART SX MK20 LEFT SIDE POD SUPPORT
3	LK061B 6X35	VTCE 6X35 ZINCATA BIANCA SCREW 6X35
4	LK061D FLAN	DADO M.6 AUTOBLOCCANTE FLANGIATO ZINC. M.6 SELF-LOCKING NUT WITH WASHER
5	LK017H MK27	KIT STAFFE SUPPORTO FRONTALINO ALTO MK27 UPPER FRONTFAIRING SUP.
6	LK016F MK20	KIT RINFORZO STAFFE FRONTALINO ALTE MK20 FRONTAL BRACKET REINFORCEMENT KIT MK20
7	LK016M MK20	KIT STAFFE SUPP. FRONTALINO BASSO MK20 LOWER FRONT FAIRING SUPPORT KIT MK20

8	LK061A 6X20	VSP 6X20 ZINCATA BIANCA SCREW 6X20
9	LK020E T	RONDELLA ALL SVASATA 6X19 PIANAL.NATURAL ALUMINIUM WASHER 6X19
10	LK011E MK20P	SPOILER ANTERIORE MK20 PERLA MK20 PEARL FRONT SPOILER
11	LK009F CIK	ATTACCO SPOILER AT 022 AT 022 SPOILER ATTACHMENT
12	LK011A MK20P	CARENA LATERALE MK20 PERLA MK20 PEARL SIDE POD
13	LK061E 8X24	RONDELLA M8X24 8X24 WASHER
14	LK061C 8X20	TE 8X20 SCREW 8X40
15A	LK011B MK27P	FRONTALINO MK27 PER LA MK27 PEARL MODEL FRONT FAIRING
15B	RC.281	CANALE INFERIORE FRONTALINO MK27 MINI MK27 MINI FRONT PANEL LOWER CHANNEL
16	LK011D	PERNO FRONTALINO FRONT FAIRING PIN
17	LK009Z 2	COPPIGLIA PERNO FRONTALINO FRONT FAIRING COTTER PIN
18	LK009Z 3	GOMMOTTI FRONTALINO FRONT FAIRING RUBBER
19	LK061B 6X20	VTCE 6X20 6X40 VTCE SCREW
20	LK047S MK27	KIT ADESIVI MINI CAYMAN MK27 MINI CAYMAN MK27 STICKER KIT

Sedili Seats



Es	Cod	Articolo Item
1A	LK0151B XS D3	SEDILE MINIKART XS SILVER XS MINIKART SEAT
1B	LK015B XXS D3	SEDILE MINIKART XXS SILVER XXS MINIKART SEAT
2A	LK015B XS	SEDILE MINIKART IN RESINA F6 XS F6 XS MINIKART RESIN SEAT
2B	LK015B B	SEDILE BABYKART IN RESINA BABYKART RESIN SEAT
2C	LK015B LUPETTO	SEDILE MINIKART LUPETTO MINIKART LUPET SEAT
3	LK061A 8X60	VSP 8X60 ZINCATO BIANCO SCREW 8X60
4	LK061A 8X25	VSP 8X25 ZINCATA BIANCA SCREW 8X25
5	LK020A T	RONDELLA ALL SVASATA 8X30 SEDILE NATURAL ALUMINIUM WASHER
6	LK020Y ALL	PIASTRINA SEDILE IN ALLUMINIO ALUMINIUM SEAT PLATE
7	LK015L T	SPESSORE SEDILE ALLUMINIO H 20MM NATURAL ALUMINIUM SEAT SPACER 20MM

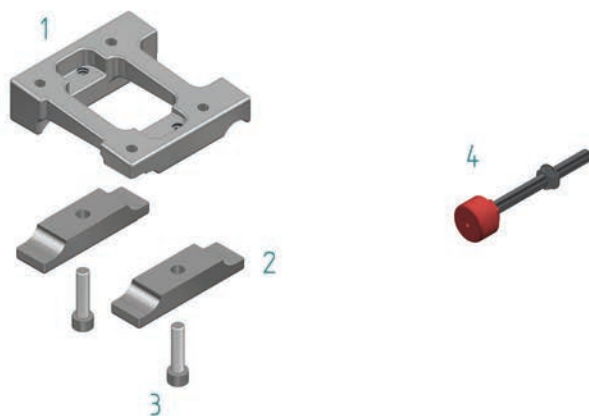
8	LK015M T	SPESSORE SEDILE ALLUMINIO H 10MM N ATURAL <i>ALUMINIUM SEAT SPACER 10MM</i>
9	LK015N T	SPESSORE SEDILE ALLUMINIO H 5MM N NATURALE <i>ALUMINIUM SEAT SPACER 5MM</i>
10	LK061D 8AUT.F	DADO M.8 AUTOBLOCCANTE FLANGIATO ZINC <i>M.8 SELF-LOCKING WITH WASHER</i>

Cerchi Wheels



Es	Cod	Articolo Item
1	LK028A 140	CERCHIO ALLUMINIO POSTERIORE MINI H140 RAZZE DS MINIKART REAR WHEEL H140
2	LK028B 110	CERCHIO ALLUMINIO ANTERIORE MINI H110 RAZZE DS MINIKART REAR WHEEL H110
3	LK028H	VALVOLA TUBELESS CORTA SHORT TUBELESS VALVE
4	LK028G 6903	CUSCINETTO CERCHIO RIM BEARING
5	LK028M	DADO DOUGLAS IN RAME COPPER DOUGLAS NUT
6	LK027E	BARRETTE ADESIVE DI PIOMBO PER EQUILIBRATURA ADHESIVE LEAD BARS FOR BALANCING

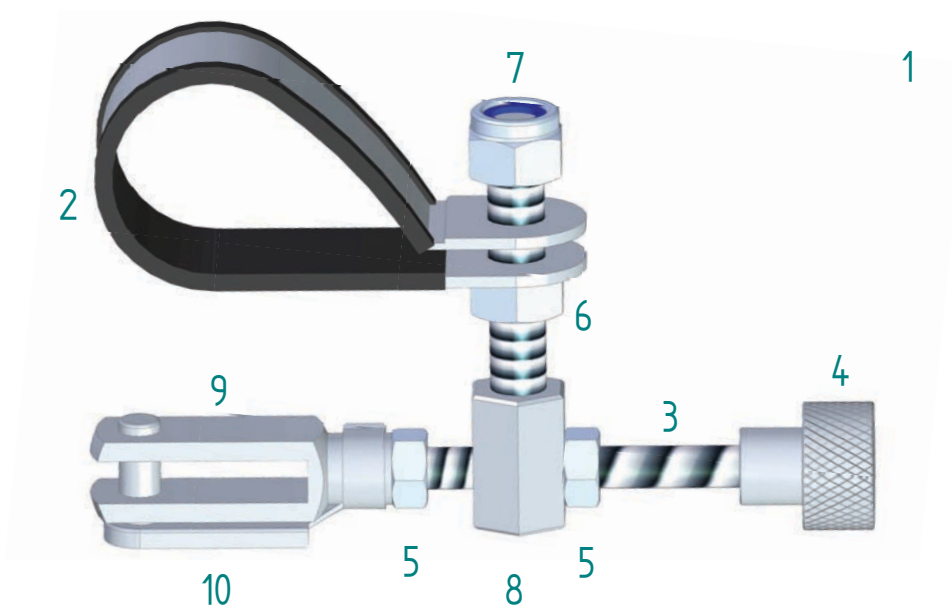
Supporto motore Engine support



Es	Cod	Articolo Item
1	B.04.051.G R15	PIASTRA MOTORE R15 ENGINE MOUNTN R15
2	LK037C	CAVALLOTTO INFERIORE PIASTRA MOTORE 28 LOWER BRACKET FOR ENGINE MOUNT 28
3	LK061B 10X40	VTCE 10X40 SCREW 10X40
4	LK037H 1	PERNO TIRAMOTORE 10X120 10X120 PIN PULLER

Kit supporto filtro

Filter support kit



Es	Cod	Articolo Item
1	LK013X KIT	KIT SUPPORTO SIL. ASPIRAZIONE LKE LKE INTAKE SILENCER SUPPORT KIT
2	LK044T 1	FASCETTA STRINGITUBO Ø 27 HOSE CLAMP Ø 27
3	LK061A 6X80	VSP 6X80 SCREW 6X80
4	LK030C	POMELLO REGOLATORE ASTA FRENO ANODIZ. BRAKE ROD REGULATOR KNOB ANODIZED
5	LK061D 6	DADO M.6 ZINCATO M.6 GALVANIZED NUT
6	LK061D 8	DADO M.8 ZINCATO M.8 GALVANIZED NUT
7	LK061D AUT B	DADO M.8 AUTOBLOCCANTE BASSO ZINC M.8 LOW SELF-LOCKING NUT GALVANIZED
8	LK036G 3	PERNO SUPP. FILTRO ARIA 60CC AIR FILTER SUPPORT PIN 60CC
9	LK029S	FORCELLA POMPA FRENO LUNGA ZINCATA LONG BRAKE PUMP FORK GALVANIZED
10	LK029V	CLIP PER FORCELLA FORK CLIP

Cavi e tubi carburante

Fuel cables and pipes



ES	Cod	Articolo Item
1	LK036P 1	CAVO ACCELERATORE MORBIDO SOFT THROTTLE CABLE
2	LK036V	MORSETTO DUPLEX DUPLEX CLAMP
3	LK012T 5.5X8.5	TUBO BENZINA AZZURRO LK LK BLUE FUEL PIPE
4	LK036S	GUAINA Ø 5 NERA SHEATH Ø 5 BLACK




Lenzokart[®]
HIGH PERFORMANCE TECHNOLOGIES

www.lenzokart.it
+39 0941 563203
info@lenzokart.com

   +39 389 1666947